

Ref: 23012019

Date: 21-11-2023

Tender Fee: Rs. 1,000/=

M/s. _____

Pakistan International Airlines (PIA) is pleased to invite sealed tenders from the Manufacturer and/or their Authorized Distributors and/or Stockiest/Distributor for the items listed below.

Bids should be dropped in box placed at the entrance of Main Building (P&L) marked as "Tender Box Commercial Purchases" Latest by (27-11-2023 Monday, until (10:30) Hrs. Bids shall be opened on same day at (11:00 hours).

Envelope containing tender, **Should Mention** (a) **PIA Ref No** (b) **Date of Opening**.

Note: → Bids through E-Mail Shall Not Be Entertained

S#	Part No and Description	Qty	UOM	Lead Time	Brand	Unit Rate		GST	Unit Value
01	4-01/16A-68 ENGINE STOP CYLINDER For CO BUS	01	EA						

Your Offered Part No if Different: _____

* P.O / CR. No _____ Drawn on Bank: _____ Branch: _____

** P.O / CR. No _____ Drawn on Bank: _____ Branch: _____

We have attached:

Tender Fee (Rs) : ____ [RFQ Proposal]

We are registered with following Authorities and our
Registration Numbers are: → → → →

GST : _____

NTN : _____

ISO : _____

Note: 1. Please write 'N/A' where Not Applicable.

PSQCA : _____

2. Please attach Copies of notified Documents.

OTHERS: _____

- Shall make deliveries free of all charges, and as per schedule given in tender / Purchase Order.
- are quoting **JUST ONE RATE** (inclusive of all taxes, mentioned separately) that are firm & final in all respects, and shall be valid for 180 **days** countable from the date of tender opening.
- Are submitting Quality Sample Qty _____ ea along with our Technical Bid.
- Are agreed for Payment terms **Net Thirty Days** (NTD), and Income Tax deduction at source.
- Understand that the required quantities may be increased / decreased by 15 %.
- Understand that PIA reserves the right to split the order and accept or reject any tender with assigned reason.
- Are agreed to pay @ 2 % of total amount of order / month if delivery is made after due date.
- Understand that PIA reserves the right to arrange the item from any other source at our risk and expense, in events I/ we failed to make deliveries.
- Are fully aware that acceptance of items by PIA is subject to joint inspection by end user and PIA quality assurance team at P&L building.
- Inco Terms: F.O.R. (P&L Building Premises) Karachi-Pakistan.

We do hereby affirm that:

- I / we have read and understood the terms and conditions of the tender as mentioned above & agreed that our bid is in line with the terms and conditions of this tender.
- Whatever is written above is true to the best of my knowledge and belief.
- I / we are fully aware that my / our bid may be rejected if; at any time, any of the entry is found wrong / false.
- This tender is filled in; the signature & affixing the company's seal on all pages are by me.

Name: _____ Designation * : _____

Address: _____

E-Mail: _____

Cell No: _____ Tel No: _____ Fax No: _____

Authorized Signature (Bidder): _____ Company's Seal : _____

* **[Note:** Please specify whether you are signing as:

: Sole Proprietor or Attorney → (if Proprietorship)

: Active Partner or Attorney → (if Registered under Partnership Act)

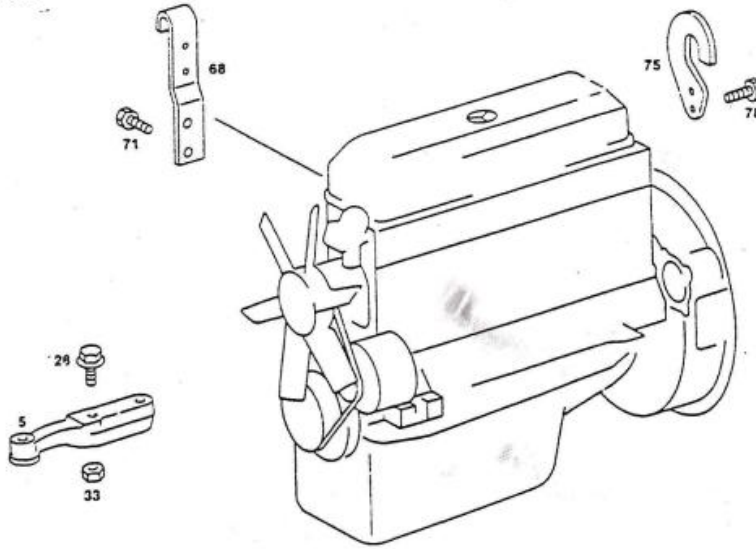
: Secretary / Director / Manager → (if registered under Company's Ordinance)

Yours Truly
for Pakistan International Airlines
nadeem.majeed@piac.aero,
Ph: +92-21 9904-3048

20
CONTRAC

4-01/15A

Motoraufhängung
Engine Suspension
Suspension du moteur
Sospensione del motore



4-01/16A

Regulierung
Control
Réglage
Accelerazione

